

TECHNICAL DATA SHEET

Vitoria Round 2TH Basin and Pedestal

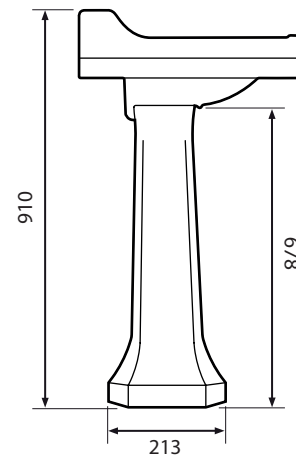
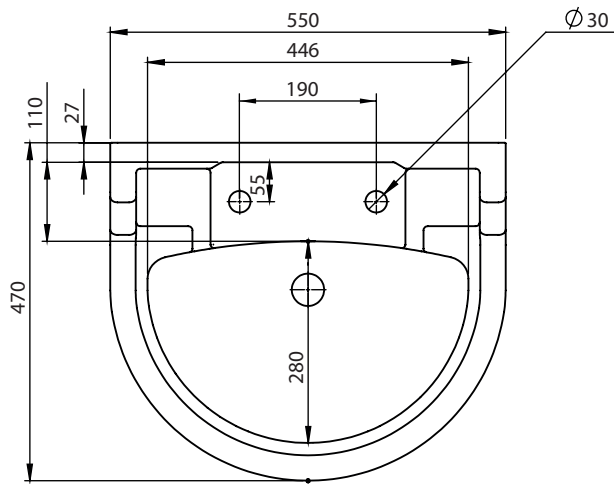
TAVISTOCK

NO.	Description	Product Code	Fixings included	Gross Weight
1	2 Tap Hole Round Basin	DB855S	YES	16KG
2	Pedestal	PE850S	YES	10KG



DIMENSIONS

DIAGRAMS NOT TO SCALE | ALL DIMENSIONS IN MM TOLERANCE OF ± 5MM
ALL PRODUCTS CONFORM TO BRITISH STANDARDS



*Dimensions are subject to change, customers are advised to measure actual product before commencing installation.
**Fixing point dimensions are for guidance only. The positions of fixings must be checked when product is received.

FAQs

Q - Position of fixing points?
A - 280 Centres

Q - Does this basin have an integrated overflow?
A - Yes

Q - What is the maximum water depth of the basin?
A - 95mm up to the overflow.

Basin

Key Dimensions Descriptions	Key Dimensions (mm)
Internal Basin Depth	135mm
Internal Basin Front to Back	280mm
Internal Basin Left to Right	446mm
Tap Ledge	110mm
Taphole Centre to Waste Centre	140mm
Taphole Centre to Back of Basin	80mm
Waste Centre to Back of Basin	190mm
Width of Basin	550mm
Depth of Basin	470mm

Pedestal

Key Dimensions Descriptions	Key Dimensions (mm)
Distance at Rear Base from Wall when Fitted MIN/MAX	115mm
Footprint Front to Back Depth	230mm
Footprint Outside Width Front	255mm
Footprint Outside Width Back	280mm
Cavity Width (Pipe Fit)	95mm
Cavity Depth (Pipe Fit)	110mm
Height Excluding Basin	678mm