



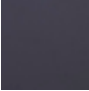
Technical Data Sheet

Vitoria Cloakroom Unit

TAVISTOCK
inspiring bathrooms

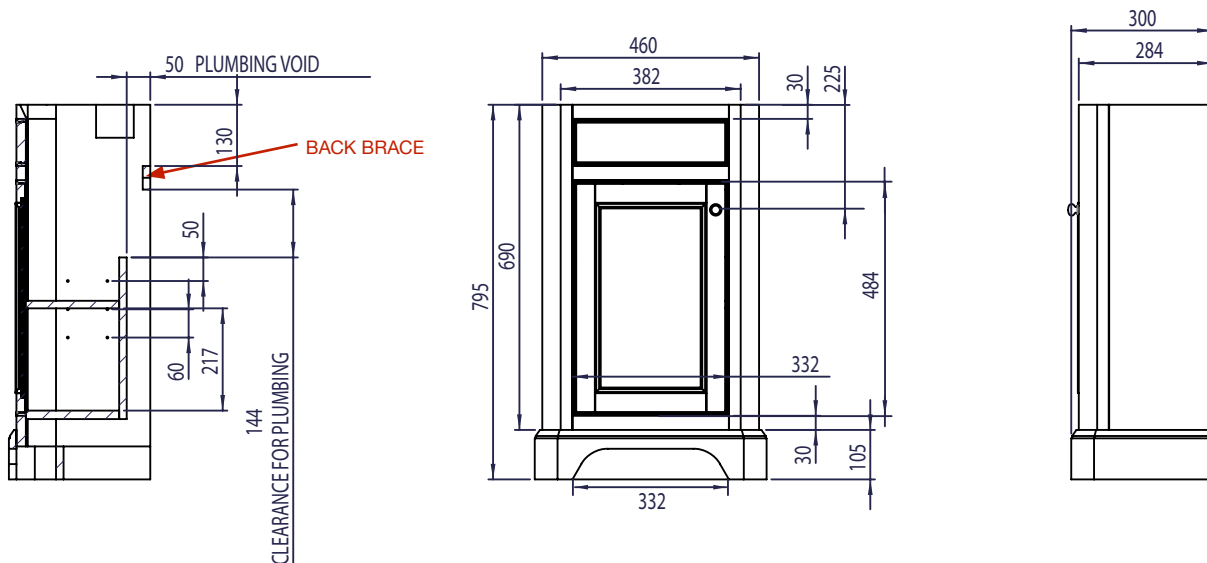
No.	Description	Code	Fixings Included
1	Vitoria Cloakroom Floor Mounted	VT50FX	NO



FINISHES AVAILABLE	
	
Linen White	Pebble Grey
	
Matt Dark Grey	

Dimensions

Diagrams not to scale. All dimensions in mm (tolerance of +/-5mm)



*Dimensions are subject to change, customers are advised to measure actual product before commencing installation.
**Fixing point dimensions are for guidance only/the positions of wall fixing must be checked when product is received.

FAQs

Q: How big is the plumbing void at the back of the furniture?
A: 50mm

Q: Can the doors be adjusted?
A: No, the hinges are standard butt hinges.

Q: Are the hinges soft close?
A: No, a small magnet holds door closed.

Q: How deep is the unit when the doors are fully open?
A: Approx. 605mm (aprox 90 degree opening hinges)

Technical Data Sheet

Vitoria Cloakroom Unit

TAVISTOCK
inspiring bathrooms

FAQs

Q: How do I fix the unit to the wall?

A: You can secure it to the wall drilling through the back brace.

Q: Is the shelf removable?

A: Yes, shelf is on shelp pins. Shelf is adjustable by 60mm spacing increments

Q: Does the unit have a colour reference?

A: No, part can be taken and matched by paint supplier (no RAL code)

Q: What is the unit made of?

A: Unit is made from a solid poplar wood frame and MDF panels



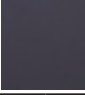
Technical Data Sheet

Vitoria 600mm Floor Mounted Unit

TAVISTOCK
inspiring bathrooms

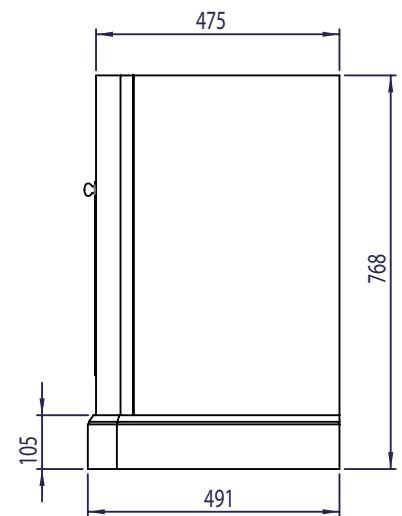
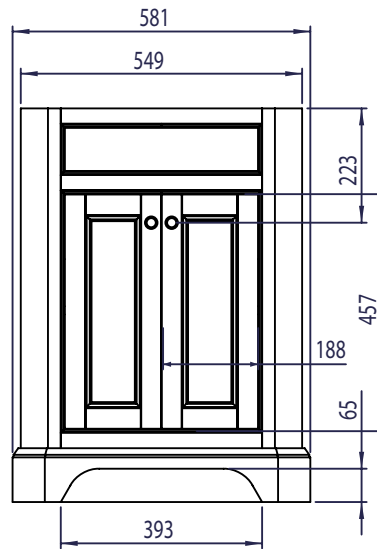
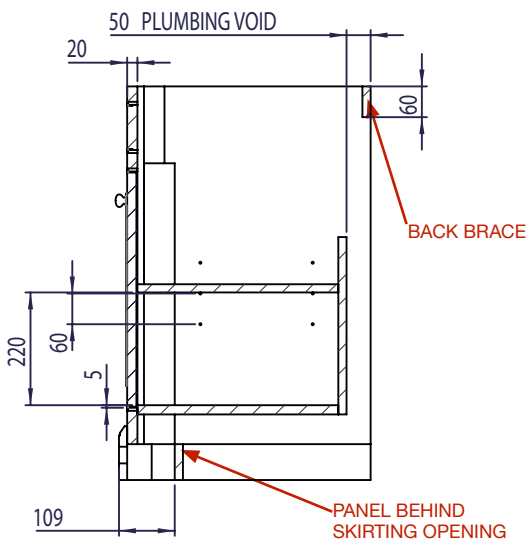
No.	Description	Code	Fixings Included
1	Vitoria 600mm Floor Mounted Unit	VT60FX	NO



FINISHES AVAILABLE	
	
Linen White	Pebble Grey
	
Matt Dark Grey	

Dimensions

Diagrams not to scale. All dimensions in mm (tolerance of +/-5mm)



*Dimensions are subject to change, customers are advised to measure actual product before commencing installation.
**Fixing point dimensions are for guidance only/the positions of wall fixing must be checked when product is received.

FAQs

Q: How big is the plumbing void at the back of the furniture?
A: 50mm

Q: Can the doors be adjusted?
A: Yes, the door hinges are adjustable in place.

Q: Are the hinges soft close?
A: Yes.

Q: How deep is the unit when the doors are fully open?
A: Approx. 665mm (aprox 90 degree opening hinges)

Technical Data Sheet

Vitoria Cloakroom Unit

TAVISTOCK
inspiring bathrooms

FAQs

Q: How do I fix the unit to the wall?

A: You can secure it to the wall drilling through the back brace.

Q: Is the shelf removable?

A: Yes, shelf is on shelp pins. Shelf is adjustable by 60mm spacing increments

Q: Does the unit have a colour reference?

A: No, part can be taken and matched by paint supplier (no RAL code)

Q: What is the unit made of?

A: Unit is made from a solid poplar wood frame and MDF panels



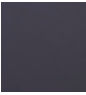
Technical Data Sheet

Vitoria 600mm Floor Mounted Underslung Unit

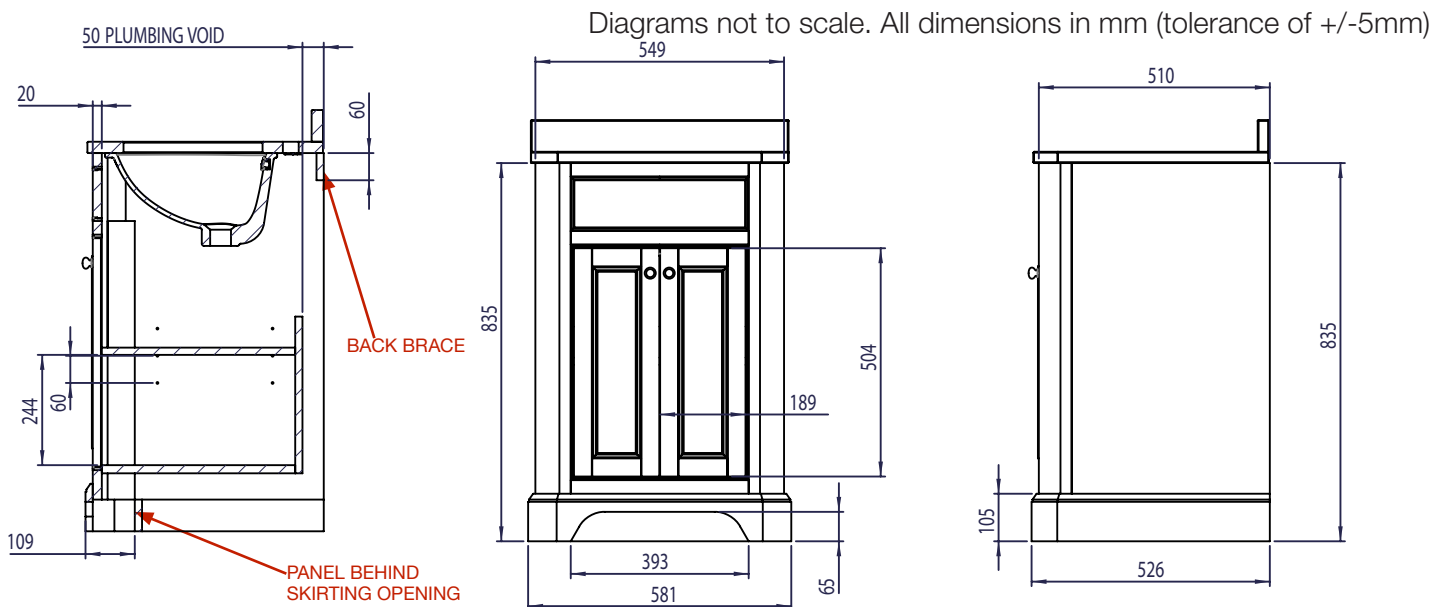
TAVISTOCK
inspiring bathrooms

No.	Description	Code	Fixings Included
1	Vitoria 600mm Floor Mounted Underslung Unit	VT60USFX	NO
2	Vitoria Underslung Worktop and Upstand	VT60USWTAR	YES



FINISHES AVAILABLE	
	
Linen White	Pebble Grey
	
Matt Dark Grey	

Dimensions



*Dimensions are subject to change, customers are advised to measure actual product before commencing installation.
**Fixing point dimensions are for guidance only/the positions of wall fixing must be checked when product is received.

FAQs

Q: How big is the plumbing void at the back of the furniture?
A: 50mm

Q: Can the doors be adjusted?
A: Yes, the door hinges are adjustable in place.

Q: Are the hinges soft close?
A: Yes.

Q: How deep is the unit when the doors are fully open?
A: Approx. 700mm (approx 90 degree opening hinges)

Technical Data Sheet

Vitoria 600mm Floor Mounted Underslung Unit

TAVISTOCK
inspiring bathrooms

FAQs

Q: How do I fix the unit to the wall?

A: You can secure it to the wall drilling through the back brace.

Q: Is the shelf removable?

A: Yes, shelf is on shelp pins. Shelf is adjustable by 60mm spacing increments

Q: Does the unit have a colour reference?

A: No, part can be taken and matched by paint supplier (no RAL code)

Q: What is the unit made of?

A: Unit is made from a solid poplar wood frame and MDF panels

Q: Is the worktop and upstand sold seperatley?



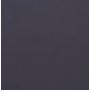
A: Yes, see brochure for infomation. Code for worktop and upstand: VT60USWTAR - Refer to seperate TDS for further info.

Technical Data Sheet

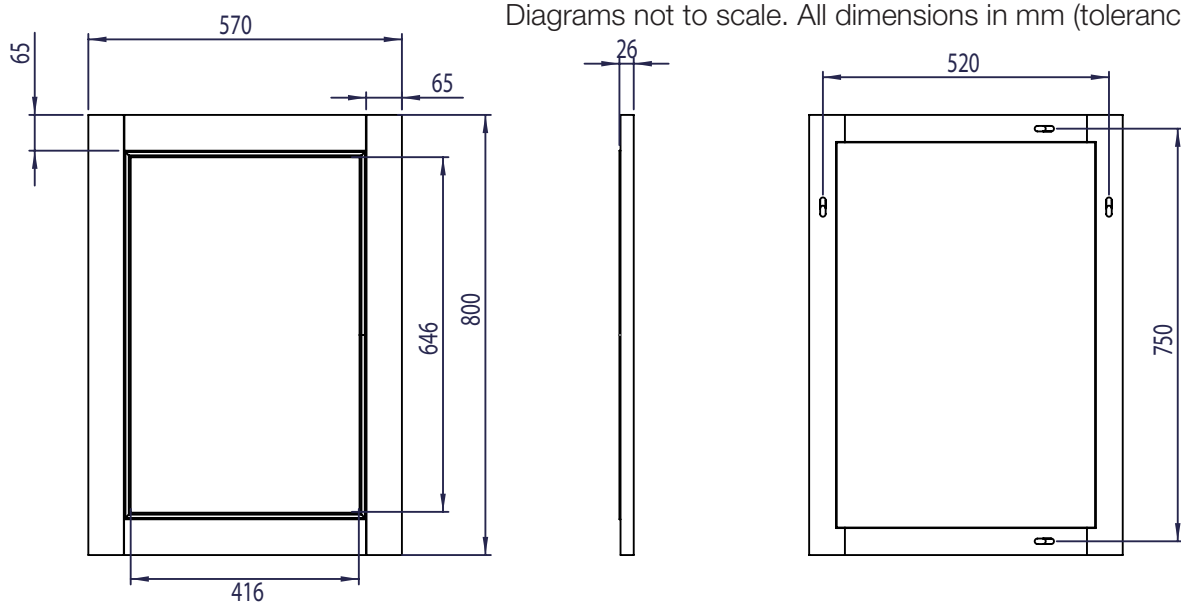
Vitoria Wooden Framed Mirror

No.	Description	Code	Fixings Included
1	Vitoria Wooden Framed Mirror	LAN600M.X	YES



FINISHES AVAILABLE	
	
Linen White	Pebble Grey
	
Matt Dark Grey	

Dimensions



*Dimensions are subject to change, customers are advised to measure actual product before commencing installation.
**Fixing point dimensions are for guidance only/the positions of wall fixing must be checked when product is received.

FAQs

Q: What is its construction?
A: MDF throughout

Q: How do I hang the mirror?
A: Landscape and Portrait can be done with this mirror. Follow instructions provided in packaging

Q: How thick is the mirror glass?
A: 5mm.


Technical Data Sheet

Vitoria Cloakroom Basin

TAVISTOCK
inspiring bathrooms

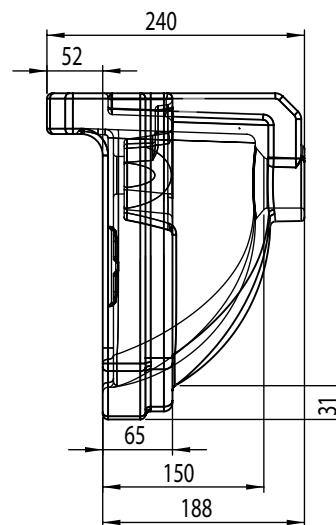
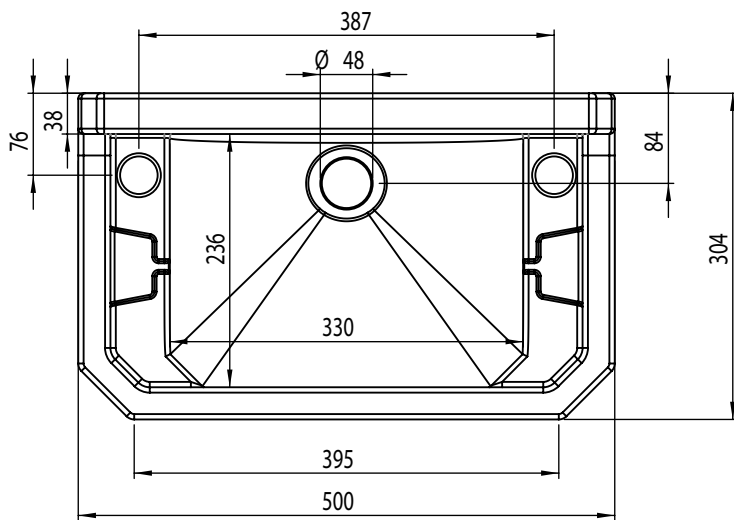
No.	Description	Code	Fixings Included
1	Vitoria Cloakroom Basin	DB850CLS	NO



FINISHES AVAILABLE

Ceramic

Dimensions

Diagrams not to scale. All dimensions in mm (tolerance of +/-5mm)



*Dimensions are subject to change, customers are advised to measure actual product before commencing installation.
**Fixing point dimensions are for guidance only/the positions of wall fixing must be checked when product is received.

FAQs

Q: Does the basin have an intergrated overflow?
A: Yes.

Q: What is the maximum water depth of the basin?
A: 130mm up to the overflow level.

Q: What is its overflow rating?
A: CL15 overflow rated




Technical Data Sheet

Vitoria 600mm Ceramic Basin

TAVISTOCK
inspiring bathrooms

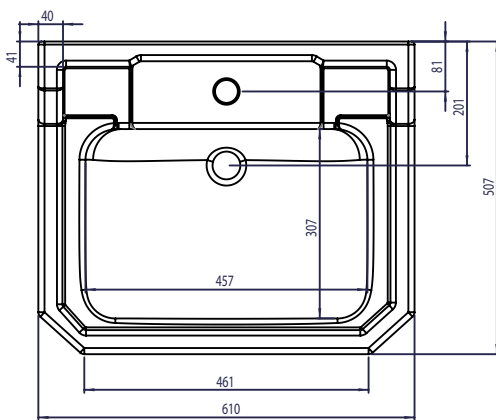
No.	Description	Code	Fixings Included
1	Vitoria 600mm Ceramic Basin	DB850S/ SE850S	NO



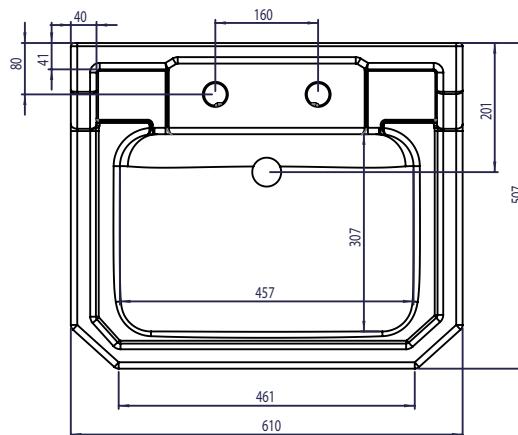
FINISHES AVAILABLE

Ceramic

Dimensions

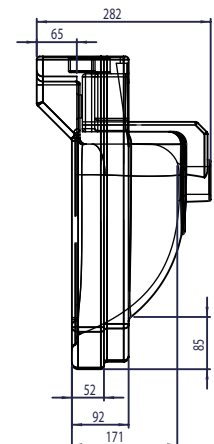
Diagrams not to scale. All dimensions in mm (tolerance of +/-5mm)



One Tap Hole
(SB850S)



Two Tap Hole
(DB850S)



*Dimensions are subject to change, customers are advised to measure actual product before commencing installation.
**Fixing point dimensions are for guidance only/the positions of wall fixing must be checked when product is received.

FAQs

Q: Does the basin have an intergrated overflow?
A: Yes.

Q: What is the maximum water depth of the basin?
A: 152mm up to the overflow level.

Q: What is its overflow rating?
A: CL15 overflow rated




Technical Data Sheet

Vitoria Underslung Basin

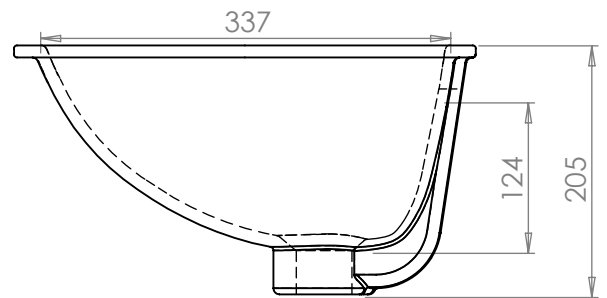
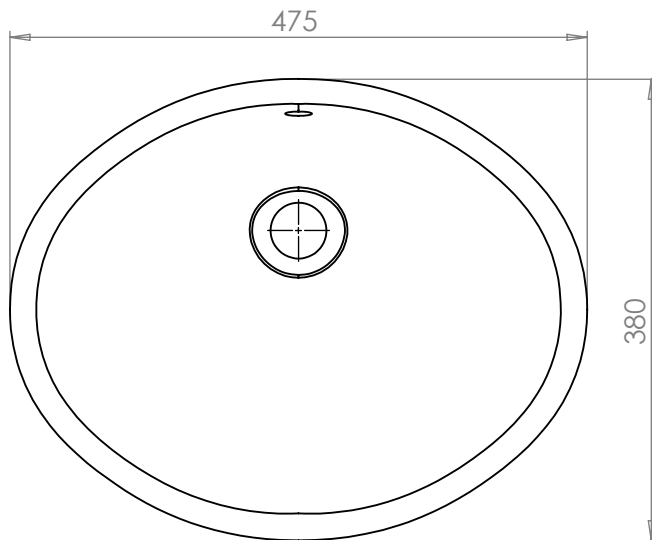
No.	Description	Code	Fixings Included
1	Vitoria Underslung Basin	VTUSBAS	YES



FINISHES AVAILABLE

Ceramic

Dimensions

Diagrams not to scale. All dimensions in mm (tolerance of +/-5mm)



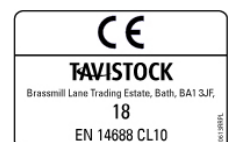
*Dimensions are subject to change, customers are advised to measure actual product before commencing installation.
**Fixing point dimensions are for guidance only/the positions of wall fixing must be checked when product is received.

FAQs

Q: Does the basin have an intergrated overflow?
A: Yes.

Q: What is the maximum water depth of the basin?
A: 124mm up to the overflow level.

Q: What is its overflow rating?
A: CL10 overflow rated



Technical Data Sheet

Vitoria Underslung Worktop and Upstand

TAVISTOCK
inspiring bathrooms

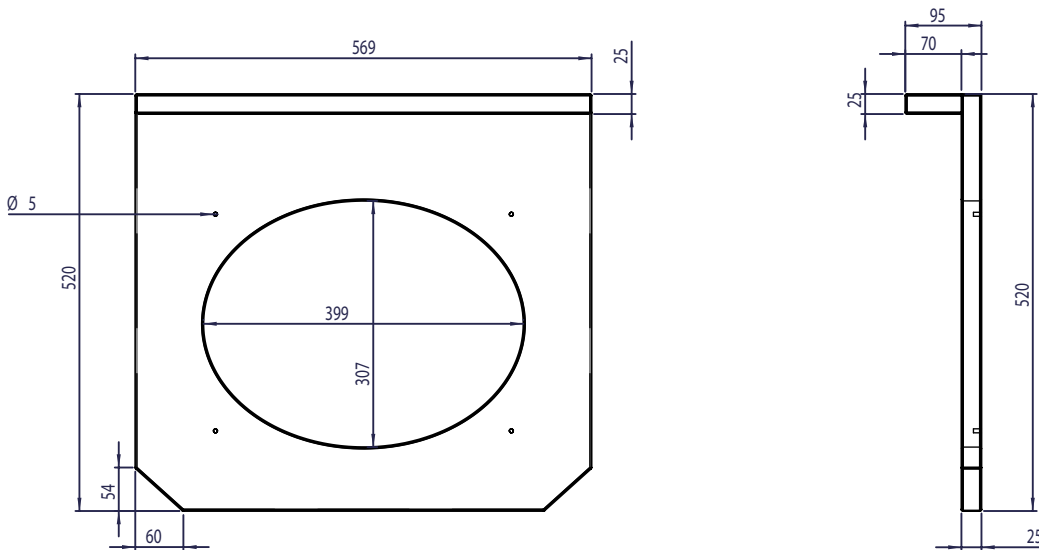
No.	Description	Code	Fixings Included
1	Vitoria Underslung Worktop and Upstand*	VT60USWTAR	YES



FINISHES AVAILABLE
Arctic White

Dimensions

Diagrams not to scale. All dimensions in mm (tolerance of +/-5mm)



*Worktop and Upstand are supplied separately

Worktop Size:
520mm x 569mm x 25mm

Upstand Size:
70mm x 569mm x 25mm

*Dimensions are subject to change, customers are advised to measure actual product before commencing installation.
**Fixing point dimensions are for guidance only/the positions of wall fixing must be checked when product is received.

FAQs

Q: Are the worktop and upstand packaged together?

A: Yes. Customer will need to silicone together upon installation.

Q: How thick is the worktop and upstand, and what is it made of?

A: 25mm thick, solid surface composite.

Q: Can the worktop and upstand be repaired?

A: Yes, seek guidance on Roper Rhodes support documents for solid surface repairing.

Q: How do you fix underslung basin to worktop?

A: Supplied with the basin are L brackets and bolts that are applied to bottom face of worktop used to secure basin. Use instructions provided.