

# Technical Data Sheet

Tier Basin Mixer - TTR11

**TAVISTOCK**  
inspiring bathrooms

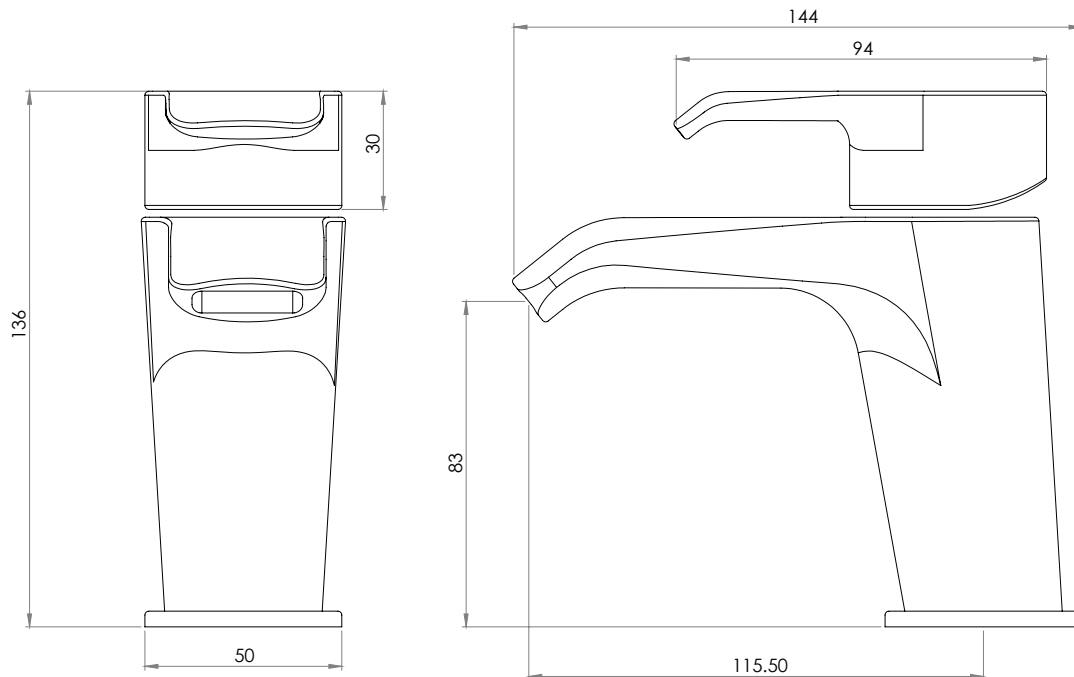
No.	Description	Code	Fixings Included
1	Tier Basin Mixer	TTR11	YES



Min Pressure:	0.3bar
0.2bar	4.8 litres / min
0.3bar	6.1 litres / min
0.4bar	7.2 litres/min
0.5bar	8.2 litres / min
1bar	11.3 litres / min
2bar	15.8 litres / min
3bar	19.4 litres / min

## Dimensions - TTR11

Diagrams not to scale. All dimensions in mm (tolerance of +/-5mm)



\*Dimensions are subject to change, customers are advised to measure actual product before commencing installation.

## FAQs

**What is the size of the tap tail connection?** The tap tails have a standard 1/2" BSP fixing.

**What bore is the tap tail?** The tails have a 10mm internal bore.

**What length are the tap tails?** The tails are 300mm in length.

**Does the tap come fitted with an aerator?** Yes.

# Technical Data Sheet

Tier Bath Filler - TTR32

**TAVISTOCK**  
inspiring bathrooms

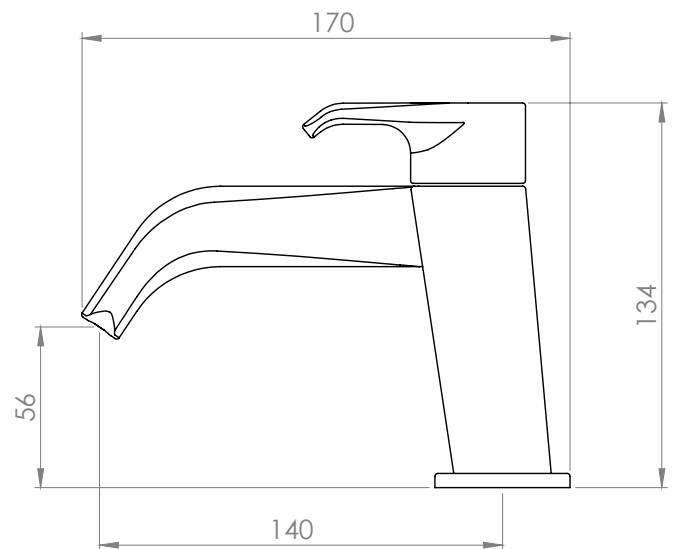
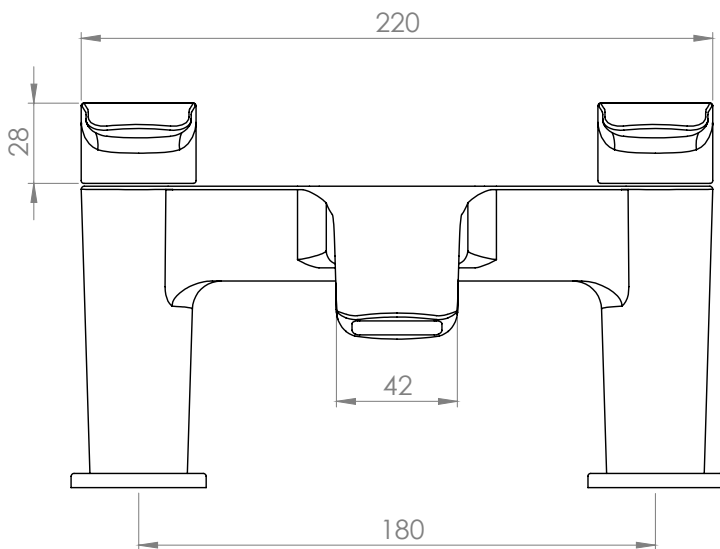
No.	Description	Code	Fixings Included
1	Tier Bath Filler	TTR32	YES



Min Pressure:	0.3bar
0.1bar	4.1 litres / min
0.2bar	6.2 litres / min
0.3bar	8.5 litres / min
0.4bar	9.2 litres / min
0.5bar	10.9 litres / min
1bar	16.1 litres / min
2bar	22.8 litres / min
3bar	29.2 litres / min

## Dimensions - TTR32

Diagrams not to scale. All dimensions in mm (tolerance of +/-5mm)



\*Dimensions are subject to change, customers are advised to measure actual product before commencing installation.

## FAQs

**Does the tap come fitted with an aerator?** Yes.

**What size plumbing fittings are needed for the threaded legs?** This product will work with standard 3/4" plumbing fittings.

# Technical Data Sheet

## Tier Bath Shower Mixer - TTR42

**TAVISTOCK**  
inspiring bathrooms

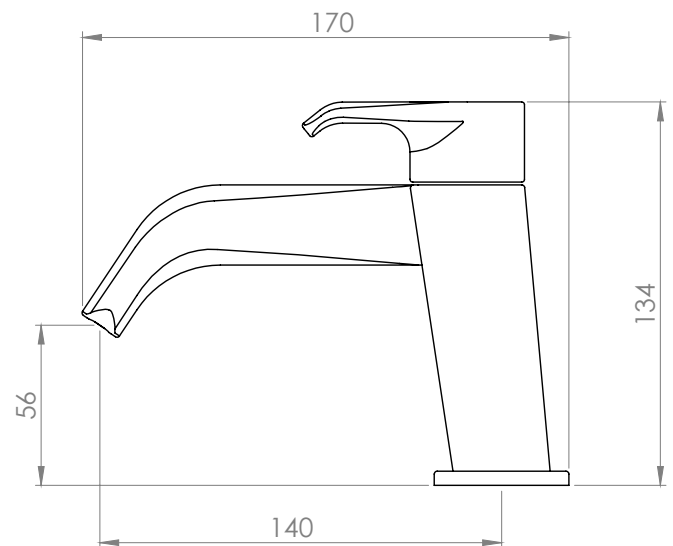
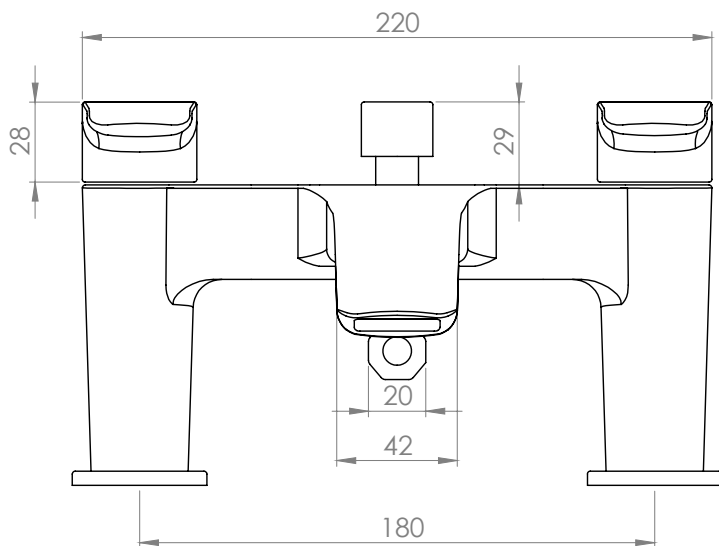
No.	Description	Code	Fixings Included
1	Tier Bath Shower Mixer	TTR42	YES



Min Pressure:	0.3bar
0.1bar	4.3 litres / min
0.2bar	5.8 litres / min
0.3bar	8.2 litres / min
0.4bar	8.9 litres / min
0.5bar	10.7 litres / min
1bar	16 litres / min
2bar	22.5 litres / min
3bar	28.7 litres / min

### Dimensions - TTR42

Diagrams not to scale. All dimensions in mm (tolerance of +/-5mm)



\*Dimensions are subject to change, customers are advised to measure actual product before commencing installation.

### FAQs

**Does the tap come fitted with an aerator?** Yes.

**What size plumbing fittings are needed for the threaded legs?** This product will work with standard 3/4" plumbing fittings.