

TECHNICAL DATA SHEET

Micra 565mm Basin and Pedestal

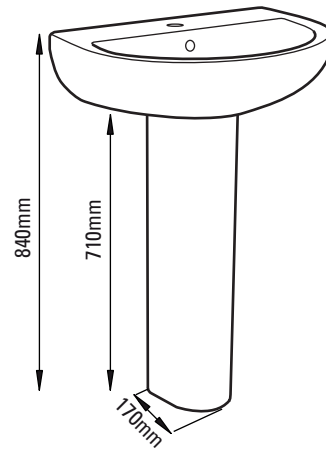
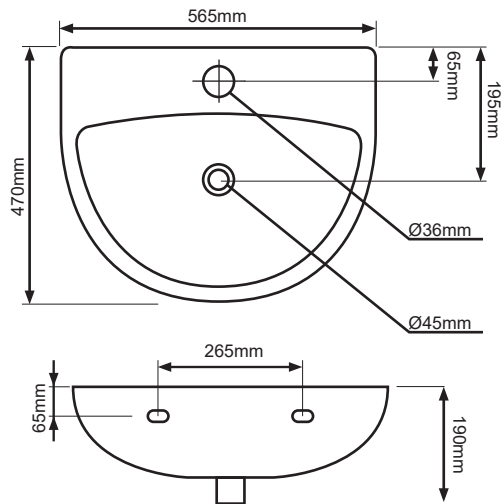
TAVISTOCK

NO.	Description	Product Code	Fixings included	Gross Weight
1	565mm Basin	SB100S	YES	15.4KG
2	Pedestal	PE100S	YES	12.7KG



DIMENSIONS

DIAGRAMS NOT TO SCALE | ALL DIMENSIONS IN MM TOLERANCE OF ± 5MM
ALL PRODUCTS CONFORM TO BRITISH STANDARDS



*Dimensions are subject to change, customers are advised to measure actual product before commencing installation.
**Fixing point dimensions are for guidance only. The positions of fixings must be checked when product is received.

FAQs

Q - Position of fixing points?
A - 185 Centers

Q - Does this basin have an integrated overflow?
A - Yes

Q - What is the maximum water depth of the basin?
A - 100mm up to the overflow.

Basin

Key Dimensions Descriptions	Key Dimensions (mm)
Internal Basin Depth	70mm
Internal Basin Front to Back	290mm
Internal Basin Left to Right	450mm
Tap Ledge	100mm
Taphole Centre to Waste Centre	130mm
Taphole Centre to Back of Basin	65mm
Waste Centre to Back of Basin	195mm
Width of Basin	565mm
Depth of Basin	470mm

Pedestal

Key Dimensions Descriptions	Key Dimensions (mm)
Distance at Rear Base from Wall when Fitted MIN/MAX	100mm
Footprint Front to Back Depth	150mm
Footprint Outside Width Front	190mm
Footprint Outside Width Back	190mm
Cavity Width (Pipe Fit)	95mm
Cavity Depth (Pipe Fit)	110mm
Height Including Basin	840mm