

Technical Data Sheet

Kinetic Basin Mixer - TKN12

TAVISTOCK
inspiring bathrooms

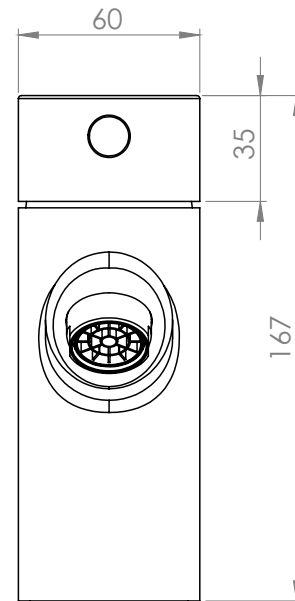
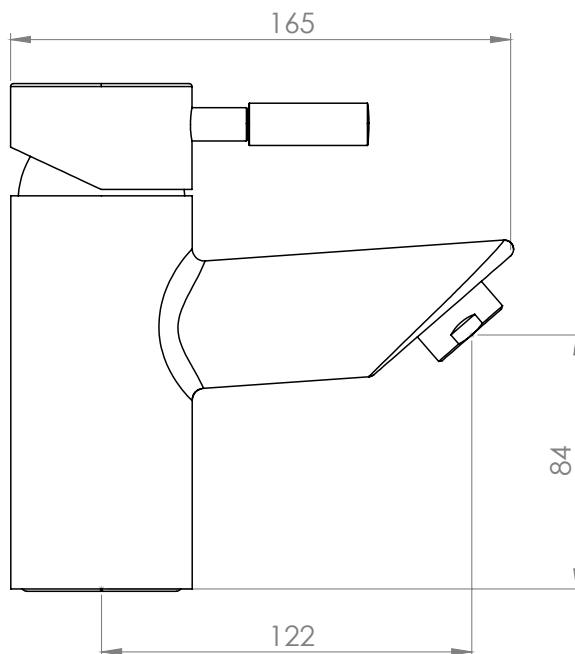
No.	Description	Code	Fixings Included
1	Kinetic Basin Mixer	TKN12	YES



Min Pressure:	0.3bar
0.1bar	5.9 litres / min
0.3bar	8.3 litres / min
0.4bar	9.6 litres/min
0.5bar	11.7 litres / min
1bar	16.9 litres / min
2bar	24.8 litres / min
3bar	30.1 litres / min

Dimensions - TKN12

Diagrams not to scale. All dimensions in mm (tolerance of +/-5mm)



*Dimensions are subject to change, customers are advised to measure actual product before commencing installation.

FAQs

What is the size of the tap tail connection? The tap tails have a standard 1/2" BSP fixing.

What bore is the tap tail? The tails have a 10mm internal bore.

What length are the tap tails? The tails are 300mm in length.

Does the tap come fitted with an aerator? Yes.

Technical Data Sheet

Kinetic Mini Basin Mixer - TKN62

TAVISTOCK
inspiring bathrooms

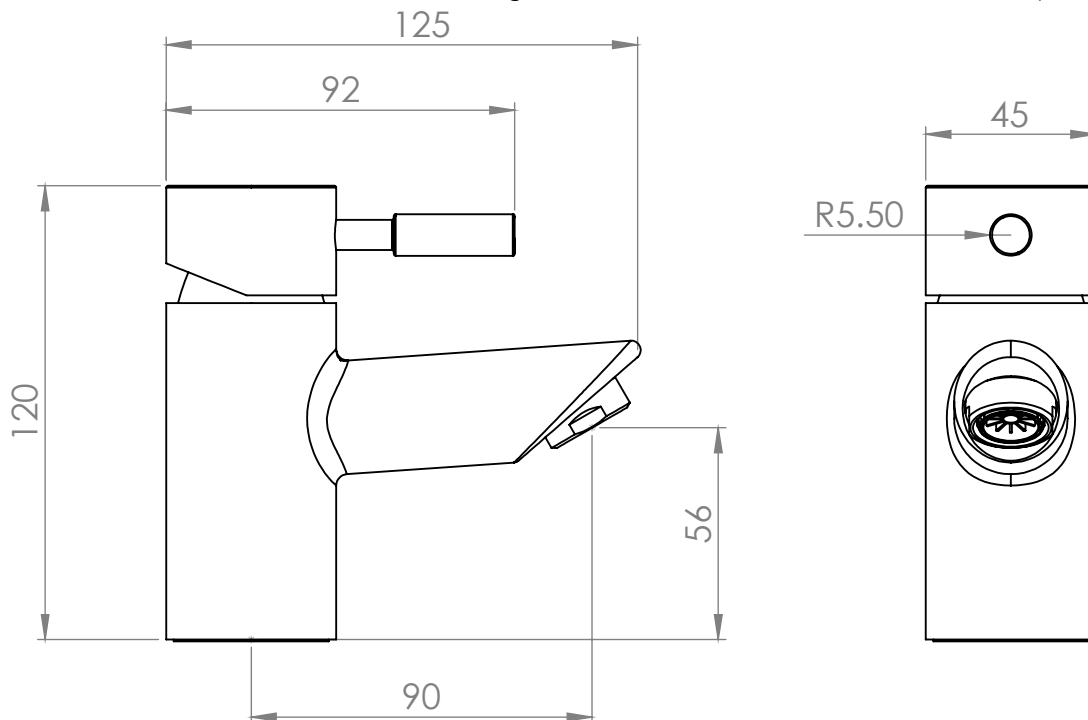
No.	Description	Code	Fixings Included
1	Kinetic Mini Basin Mixer	TKN62	YES



Min Pressure:	0.3bar
0.1bar	6.1 litres / min
0.3bar	8.5 litres / min
0.4bar	9.9 litres/min
0.5bar	11.1 litres / min
1bar	16.1 litres / min
2bar	23.4 litres / min
3bar	28.5 litres / min

Dimensions - TKN62

Diagrams not to scale. All dimensions in mm (tolerance of +/-5mm)



*Dimensions are subject to change, customers are advised to measure actual product before commencing installation.

FAQs

What is the size of the tap tail connection? The tap tails have a standard 1/2" BSP fixing.

What bore is the tap tail? The tails have a 10mm internal bore.

What length are the tap tails? The tails are 300mm in length.

Does the tap come fitted with an aerator? Yes.

Technical Data Sheet

Kinetic Bath Filler - TKN32

TAVISTOCK
inspiring bathrooms

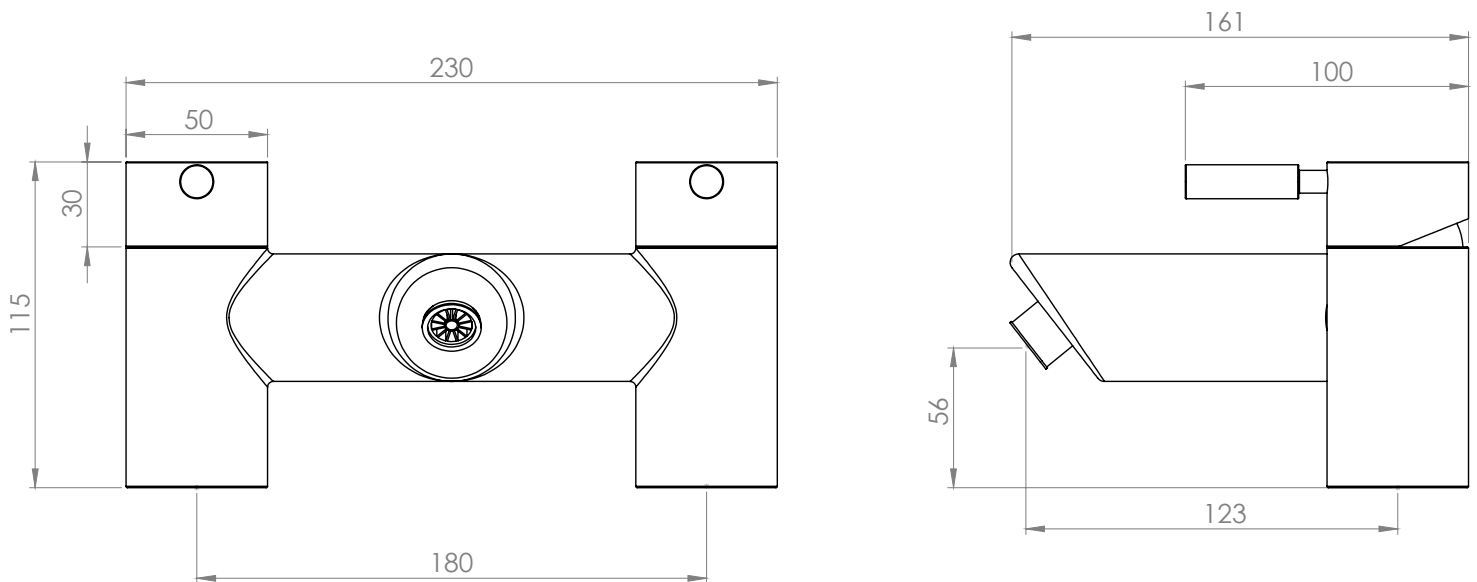
No.	Description	Code	Fixings Included
1	Kinetic Bath Filler	TKN32	YES



Min Pressure:	0.3bar
0.1bar	14.7 litres / min
0.3bar	19.7 litres / min
0.4bar	23.3 litres/min
0.5bar	26.4 litres / min
1bar	38.0 litres / min
2bar	53.1 litres / min
3bar	62.8 litres / min

Dimensions - TKN32

Diagrams not to scale. All dimensions in mm (tolerance of +/-5mm)



*Dimensions are subject to change, customers are advised to measure actual product before commencing installation.

FAQs

Does the tap come fitted with an aerator? Yes.

What size plumbing fittings are needed for the threaded legs? This product will work with standard 3/4" plumbing fittings.

Technical Data Sheet

Kinetic Bath Shower Mixer - TKN42

TAVISTOCK
inspiring bathrooms

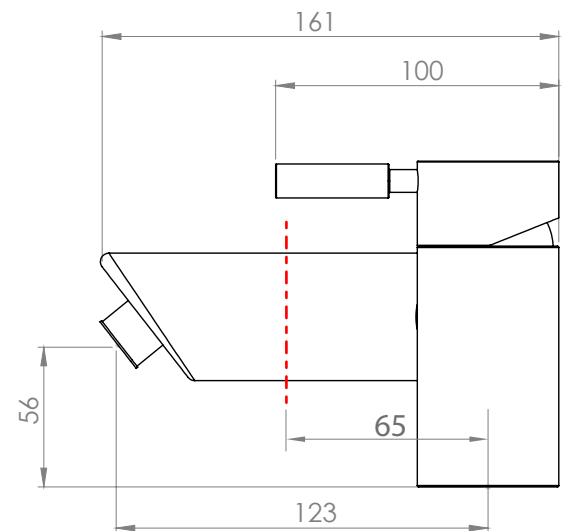
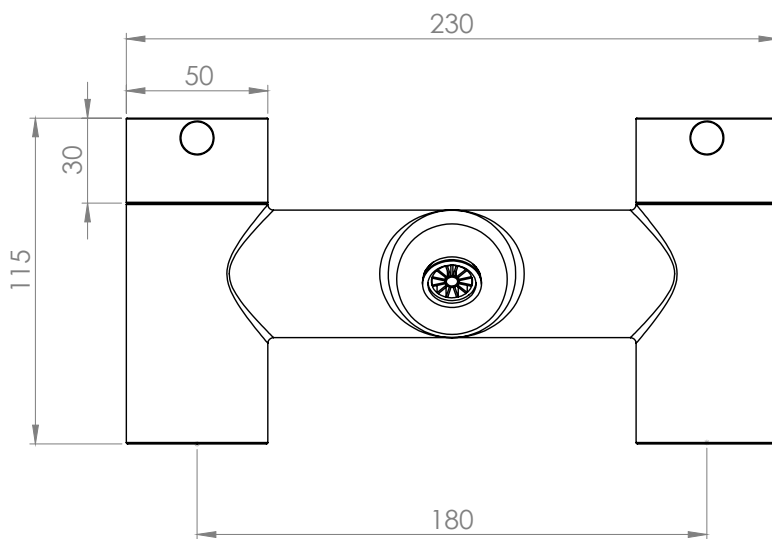
No.	Description	Code	Fixings Included
1	Kinetic Bath Shower Mixer	TKN42	YES



Min Pressure:	0.3bar
0.1bar	10.7 litres / min
0.3bar	13.9 litres / min
0.4bar	16.3 litres/min
0.5bar	18.5 litres / min
1bar	26.3 litres / min
2bar	38.3 litres / min
3bar	46.7 litres / min

Dimensions - TKN42

Diagrams not to scale. All dimensions in mm (tolerance of +/-5mm)



SHOWER HOSE AND DIVERTER POSITIONED 65MM FROM PIPE CENTRES, SHOWN IN RED ON DIAGRAM.

*Dimensions are subject to change, customers are advised to measure actual product before commencing installation.

FAQs

Does the tap come fitted with an aerator? Yes.

What size plumbing fittings are needed for the threaded legs? This product will work with standard 3/4" plumbing fittings.

Technical Data Sheet

Kinetic Tall Basin Mixer - TKN52

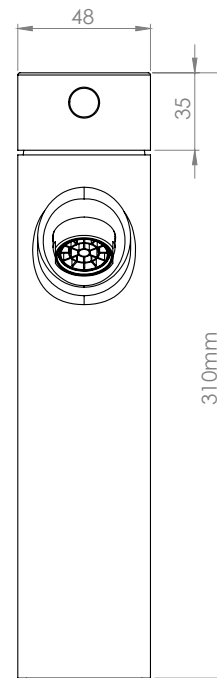
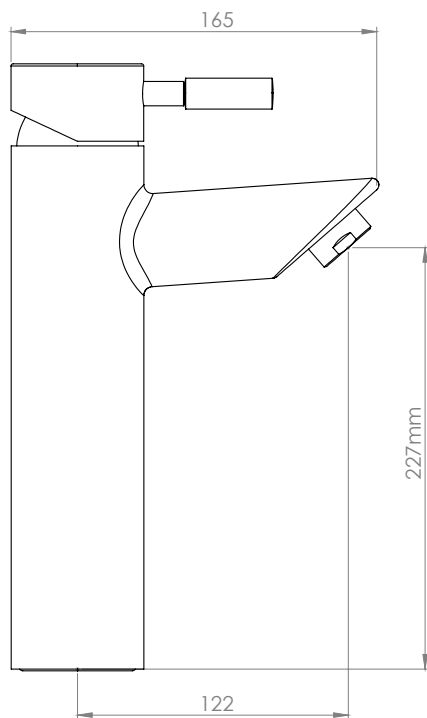
No.	Description	Code	Fixings Included
1	Kinetic Tall Basin Mixer	TKN52	YES



Min Pressure:	0.3bar
0.1bar	4.3 litres / min
0.3bar	5.6 litres / min
0.4bar	6.8 litres/min
0.5bar	7.8 litres / min
1bar	11.3 litres / min
2bar	16.5 litres / min
3bar	20.3 litres / min

Dimensions - TKN52

Diagrams not to scale. All dimensions in mm (tolerance of +/-5mm)



*Dimensions are subject to change, customers are advised to measure actual product before commencing installation.

FAQs

What is the size of the tap tail connection? The tap tails have a standard 1/2" BSP fixing.

What bore is the tap tail? The tails have a 10mm internal bore.

What length are the tap tails? The tails are 300mm in length.

Does the tap come fitted with an aerator? Yes.

Technical Data Sheet

Kinetic Basin Taps - TKN70

TAVISTOCK
inspiring bathrooms

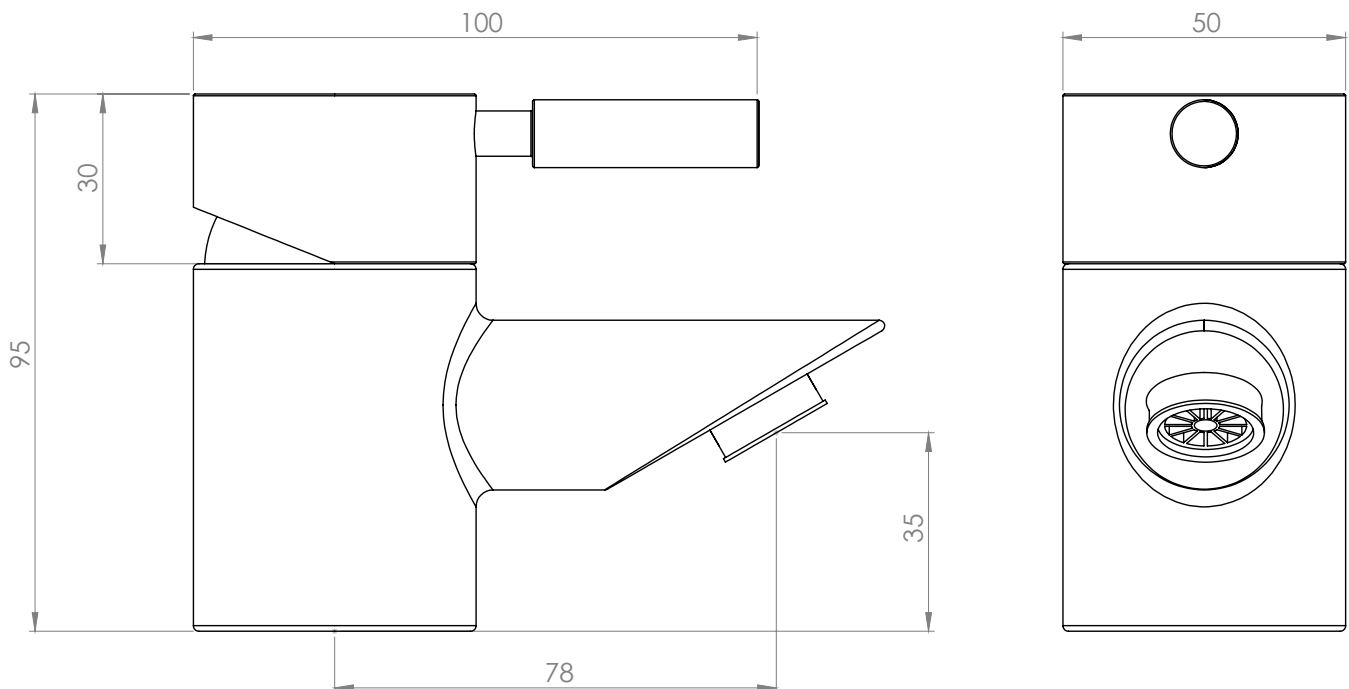
No.	Description	Code	Fixings Included
1	Kinetic Basin Taps	TKN70	YES



Min Pressure:	0.3bar
0.1bar	6.3 litres / min
0.3bar	8.3 litres / min
0.4bar	9.9 litres/min
0.5bar	11.2 litres / min
1bar	16.0 litres / min
2bar	23.1 litres / min
3bar	26.6 litres / min

Dimensions - TKN70

Diagrams not to scale. All dimensions in mm (tolerance of +/-5mm)



*Dimensions are subject to change, customers are advised to measure actual product before commencing installation.

FAQs

What is the size of the tap tail connection? The tap tails have a standard 1/2" BSP fixing.

What bore is the tap tail? The tails have a 10mm internal bore.

What length are the tap tails? The tails are 300mm in length.

Does the tap come fitted with an aerator? Yes.