

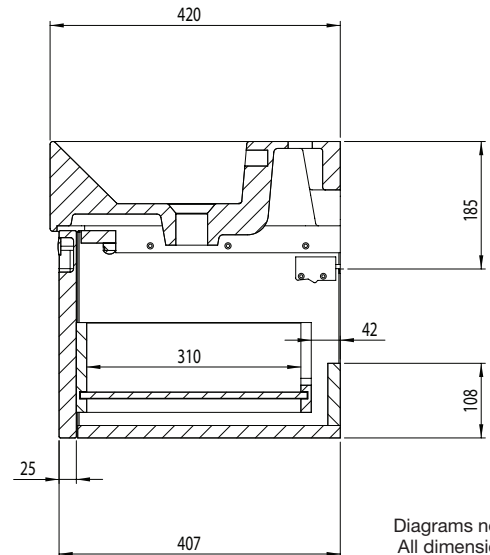
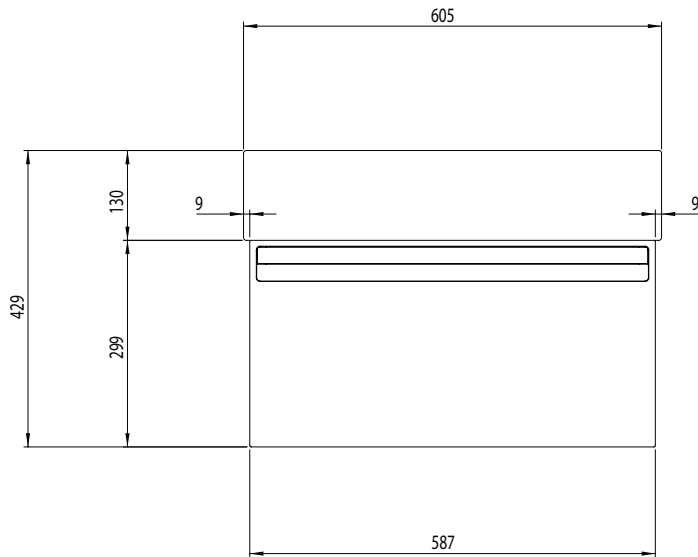
# Technical Data Sheet

## FORUM 600mm Wall Mounted Unit

Whats in the box: 1x FR60W.x + Handle/ Fix-

**TAVISTOCK**  
inspiring bathrooms

\*Reference basin TDS for further info



Diagrams not to scale  
All dimensions in mm  
tolerance of +/-5mm

### Materials

Carcass: 18mm Painted MDF

Fascia Components: 25mm Painted MDF

\*\*Dimensions are subject to change, customers are advised to measure actual product before commencing installation.

\*\*\*Fixing point dimensions are for guidance only/the positions of wall fixing must be checked when product is received.

### Extra Dimensions

Internal Drawer Depth - Front to Back:

310mm

Internal Drawer Height:

100mm

Internal Drawer Width:

510mm

Hanger Centres:

25mm from the side panel.

### FAQs

Q: How big is the plumbing void?

A: 42mm

Q: How far apart are the hole centres for the handles?

A: There are 4 holes 160mm and 192mm apart.

Q: Are the handles fitted?

A: No, handles need fitting.

Q: Are the runners soft close?

A: The runners are both soft close and quick release.

Q: How deep is the unit when the drawers are fully open?

A: Approx. 680mm including handle.

Q: Can the drawers be adjusted?

A: The drawers can be adjusted as detailed in the supplied instructions.

Q: What is the interior finish of the unit?

A: The unit interior is the same finish as the exterior.

NOTE: Colours unique to Tavistock - No RAL Code available