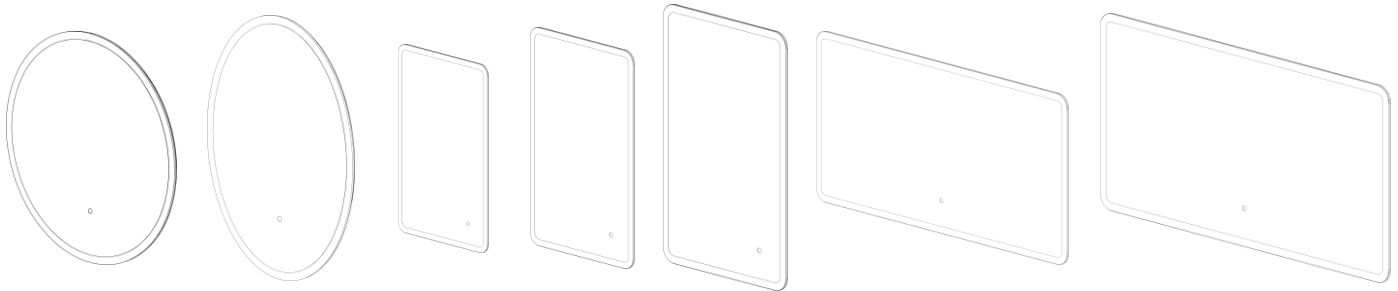


Technical Data Sheet

ASTER



Box Contents:

Aster Mirror – Circular or Oval: Instructions booklet | 2x wall plugs | 2x screws

Aster Mirror – Square or Rectangular: Instructions booklet | 4x wall plugs | 4x screws | 2x wall brackets

Materials

Frame Material: Extruded Aluminium

Glass: 5mm PVC Backed

FAQ's:	Units	AS60ALR	AS49ALE	AS40ALC	AS70ALC	AS80ALC	AS100ALC	AS120ALC	
Can the mirror be hung landscape?	-	No			Yes				
What is the thickness of the mirror glass?	mm	5							
Is the mirror IP44 rated?	-	Yes – Suitable for use in bathroom zone 2							
What size fuse should I use?	-	Seek the advice of an electrician							
What is the total power consumption?	W	32	31	34.5	55	59	71.8	82	
Does the mirror have an energy rating?	-	Yes – It has an energy rating of: A							
What is the colour of the light and the Kelvin rating?	K	2700 - 6500							
What is the wattage of the lights?	W	17	16	19.5	20	24	28	30	
Where is the IR sensor/rocker switch located?	-	Front middle		Front bottom right			Front middle		
Can the LED lighting be replaced?	-	No							
Can the IR sensor be replaced?	-	Yes							
What is the output of the demister pad?	W	15			35		43.8	52	
What are the dimensions of the demister pad? (L x W)	mm	200 x 300			310 X 450		700 x 250	900 X 230	
How do I turn on the demister pad?	-	The demister pad will turn on when the LEDs are turned on.							
Are illuminated mirrors supplied with mains cable?	-	All illuminated mirrors are supplied with a removeable 500mm mains cable.							

10 Year Guarantee

We have complete confidence in this Roper Rhodes bathroom Mirror and as such it is offered with a 10-year guarantee against defects in manufacture. The electronics are covered by our 2-year guarantee. In the unlikely event that this product should fail during the guarantee period we will either replace the faulty part or the complete unit as appropriate.

*Dimensions are subject to change, customers are advised to measure actual product before commencing installation.

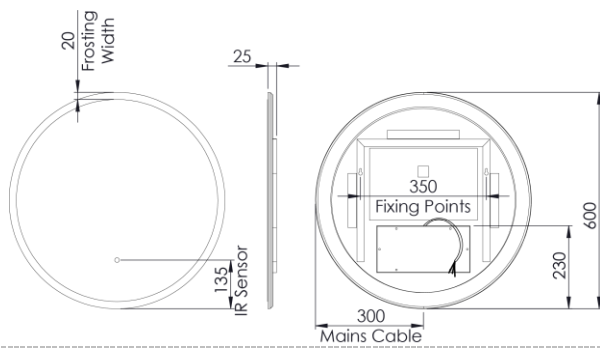
**Fixing point dimensions are for guidance only/the positions of wall fixing must be checked when product is received.

Roper Rhodes, Brassmill Lane Trading Estate, Bath BA1 3JF

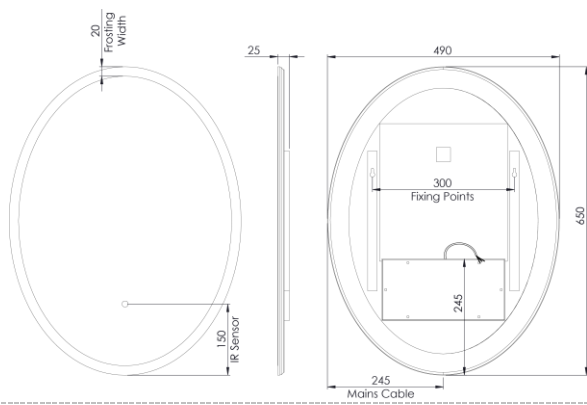
TEL: 01225 303 900 | techsupport@roperrhodes.co.uk

www.RoperRhodes.com

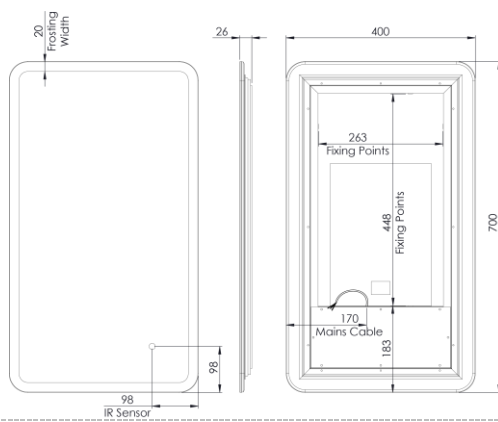
AS60ALR



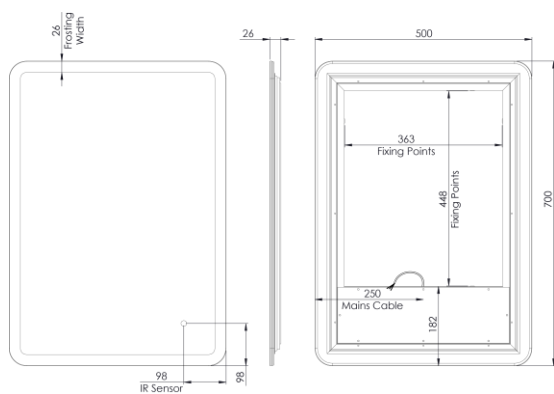
AS49ALE



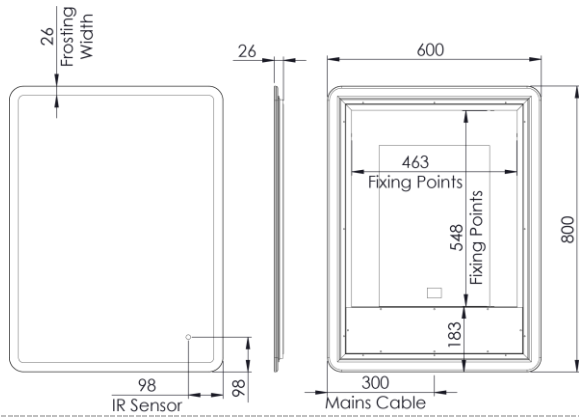
AS40ALC



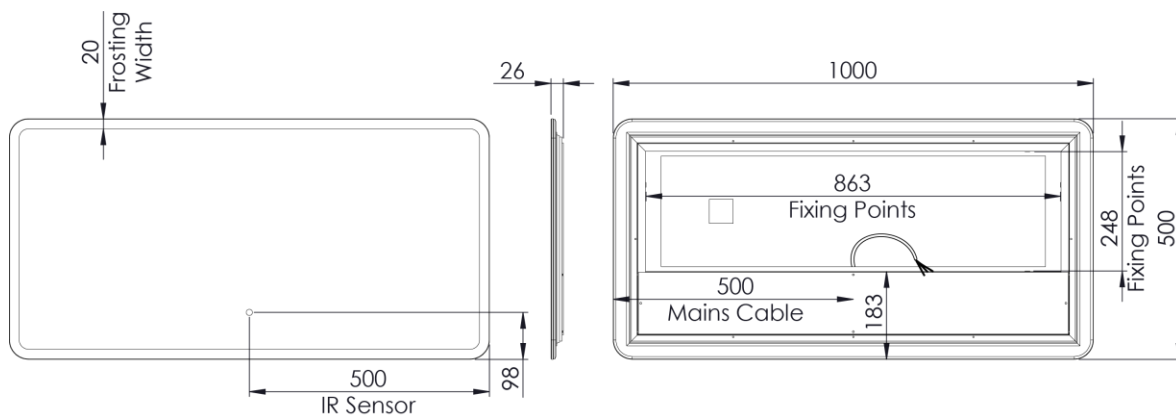
AS70ALC



AS80ALC



AS100ALC



AS120ALC

